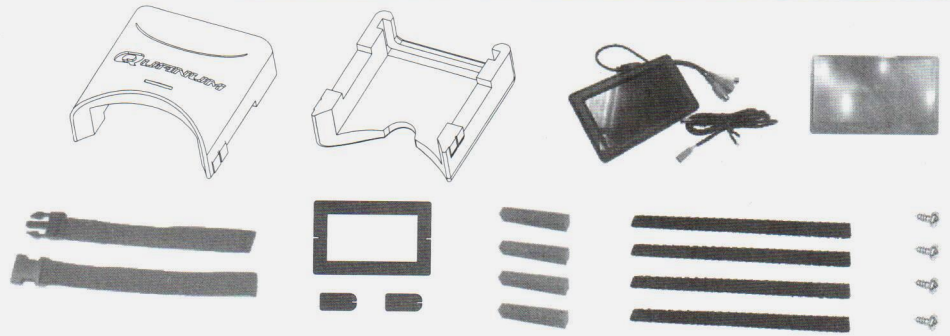


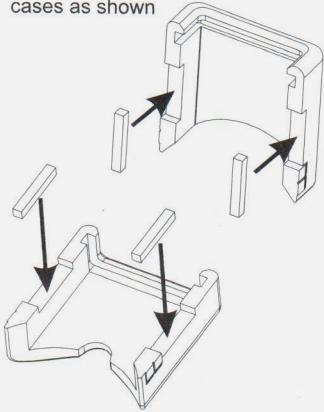
DIY FPV GOGGLE ASSEMBLY

Parts List

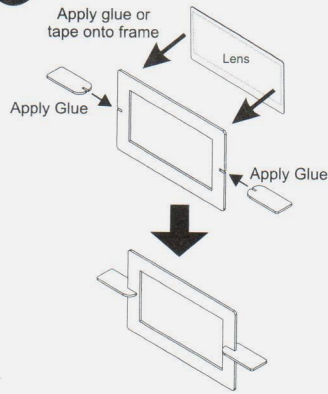
- Goggle case (Top) x 1
- Goggle case (Bottom) x 1
- TFT monitor with DC cable x 1
- Magnifying Lens x 1
- Lens frame x 1
- Elastic head strap set x 1 pair
- foam stick x 4
- foam tape x 4
- Screw x 4



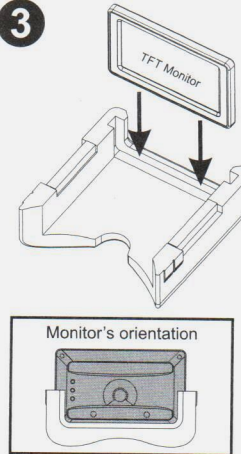
1 Glue foam sticks onto goggle cases as shown



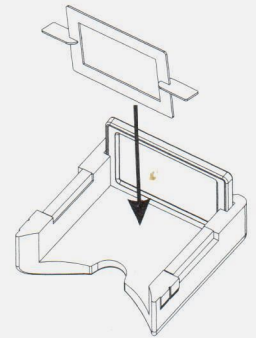
2 Magnifying Lens



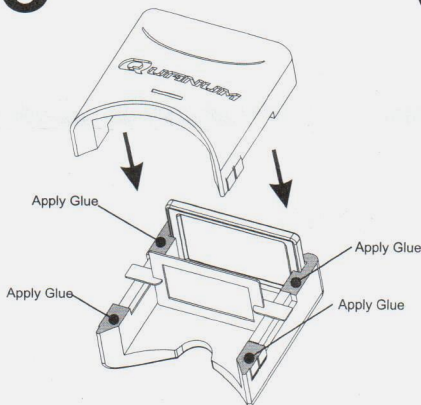
3



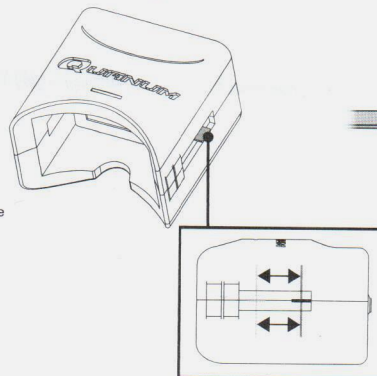
4



5

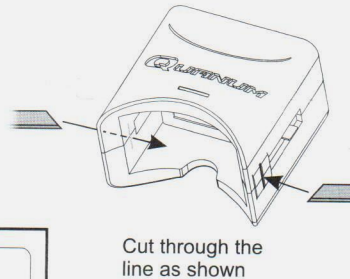


6 Focus adjustment for magnifying lens



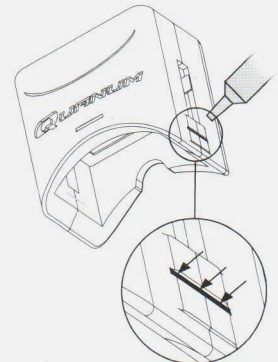
7

Head Strap installation



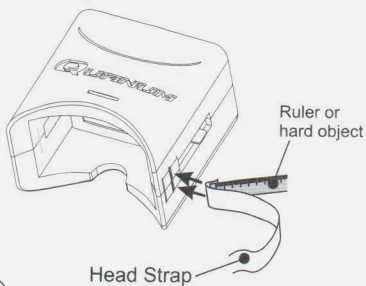
8

Apply glue to cut through area as shown



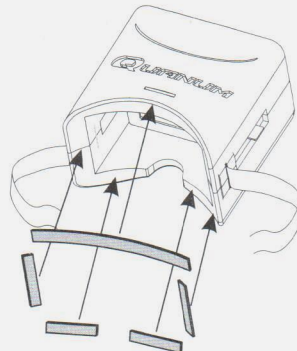
9

With the help of a ruler or hard object, slip the end of head strap into the cut slot with glue



10

Cut provided foam tapes into suitable lengths of your choice and stick to the goggle for maximum wearing comfort



Your FPV Goggle Completed !



Line connection

