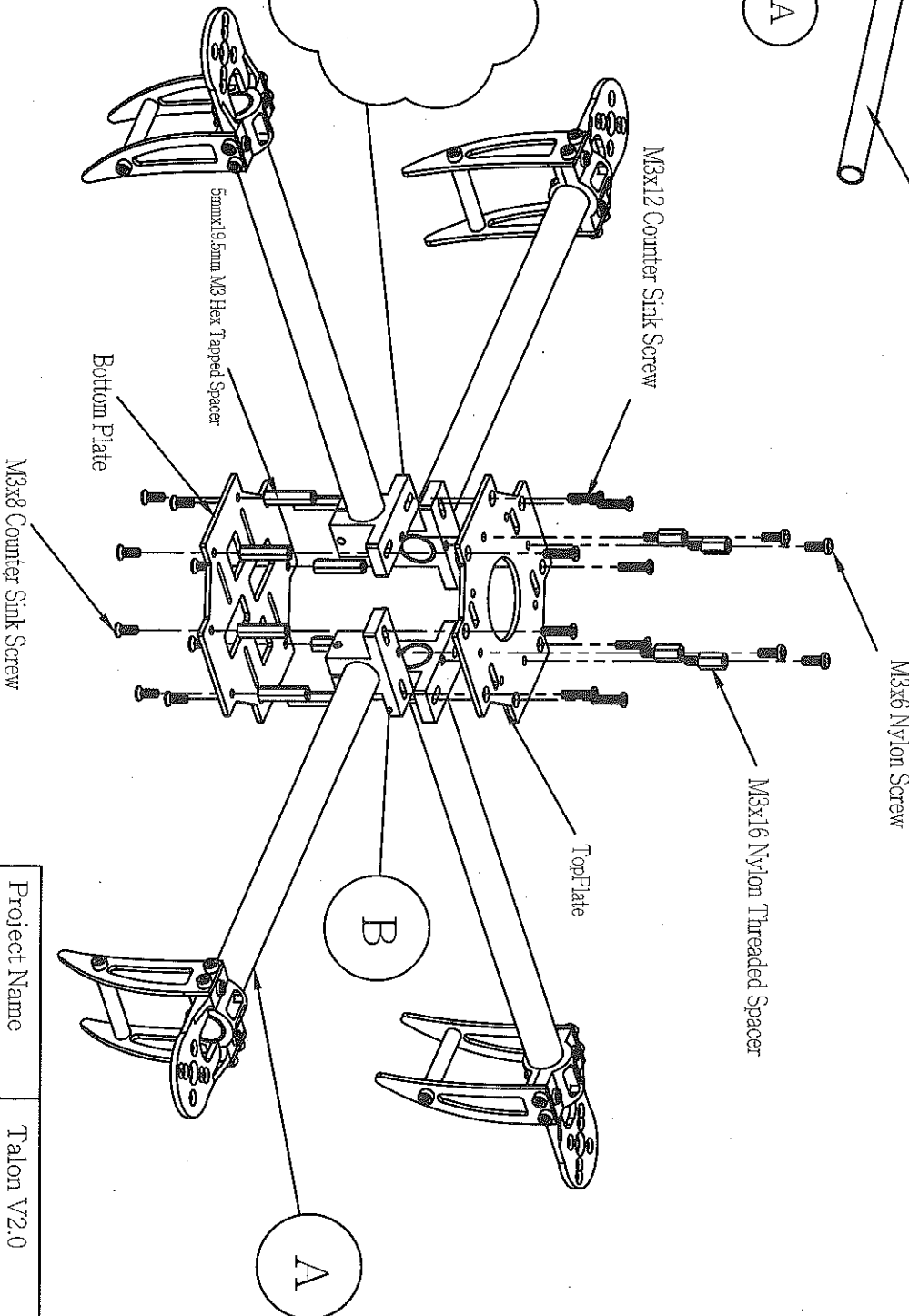
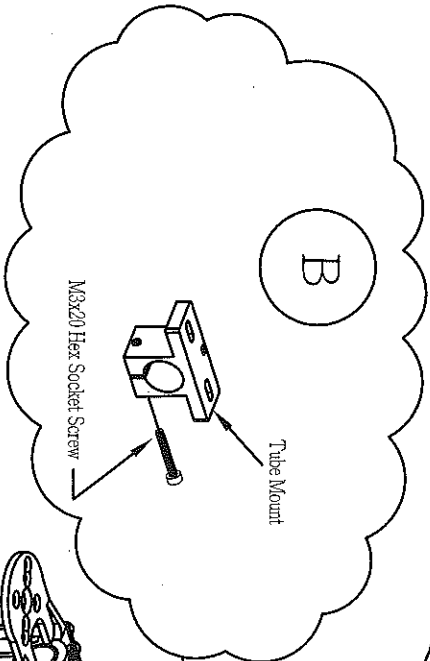
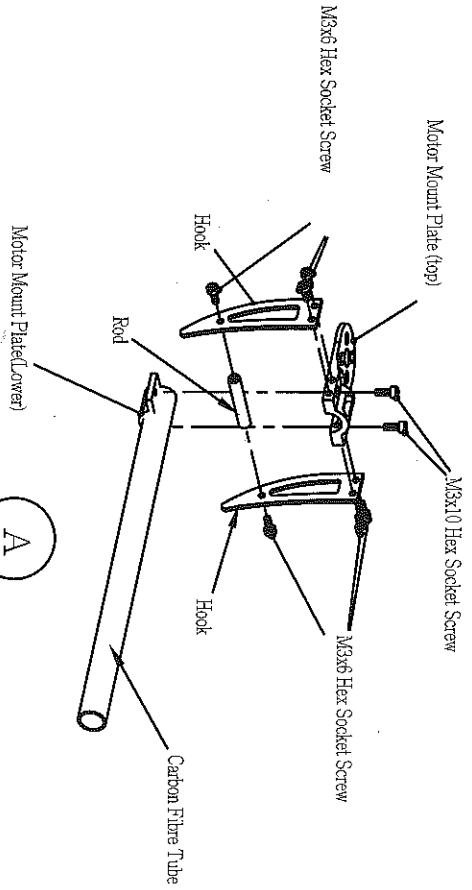


TALON QUADROPTER V2.0

TURNIGY
power systems



Project Name	Talon V2.0
Drawing Scale	1 : 4